



Euronda[®]
Pro System

E9 Next

ENGLISH

INDEX

Next_1 A Synthesis. Excellence at your fingertips.	05
• MODULAR STRUCTURE AND VALVES BLOCK	15
Next_2 Choice. Total traceability, expandable on board.	07
• ON BOARD TRACEABILITY	15
• ON BOARD EXPANDABILITY	15
Next_3 Intelligence. The pleasure of simple steps.	09
• E-TOUCH	16
Next_4 Safety. Class B sterilization and more besides.	11
• CONDUCTIVITY SENSOR	16
• DIRT CONTROL SYSTEM	16
• INSTANT STEAM GENERATOR	17
• AIR - WATER SEPARATOR	17
Next_5 Inspectionability. For convenient and complete cleaning.	13
• INSPECTION® SYSTEM	17
Sterilisation cycles	14
Personal functioning	14
Technical insight	15
Accessories	18
Technical specifications	22

Euronda

For you who love to surround yourself with beautiful things,
even when you're working. For you who hate complications.

For you who put safety before everything else.

For you who love well made things that last over time.

For you who want only the best...



Next_1 A Synthesis. Excellence at your fingertips.

Born out of the experience of the E9 Recorder, the E9 Next stands alongside it, making the best technology more accessible. A simple and clean design and beauty that immediately catches your eye are only the first, most obvious signs of quality, with many more yet to be unravelled. The choice of the materials and how they are put together make the E9 Next an autoclave that is solid and trustworthy. But its soul, the quality that makes it unique, is the expandable traceability.

 Focus on the topic
- **MODULAR STRUCTURE AND VALVES BLOCK**
page 15



Next_2 Choice.

Total traceability, expandable on board.

E9 Next perfectly understands your needs and makes expandable traceability its strength. The SD Card and the Ethernet connection make the data from every sterilisation cycle readily available. But the E9 Next was born to go one step further; with total ease and without help from a specialist, you will be able to expand the traceability by choosing one of the three available Print Sets.

- Focus on the topic
- ON BOARD TRACEABILITY
 - ON BOARD EXPANDABILITY
- page 15



PRINT SET_1



PRINT SET_2



PRINT SET_3



cycles

test

settings

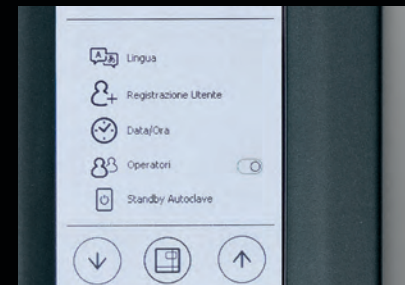
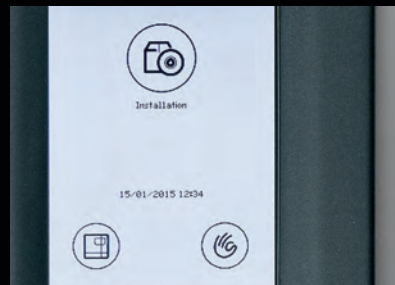


NEXT

Next_3 Intelligence. The pleasure of simple steps.

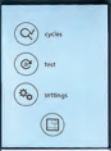
With E9 Next, the technology has become even more simple and accessible. You will experience the pleasure of using an autoclave that has a swift and logical functionality, with all the necessary functions to carry out your job as best as you can. Also, the clear and simple E-Touch display icons will be the secure and comprehensible guide to every step you take.

➔ Focus on the topic
- E-TOUCH
page 16






EXB150001



NEXT

Next_4 Safety. Class B sterilization and more besides.

With its outstanding state-of-the-art technology, the E9 Next sterilizes all instruments flawlessly, guaranteeing total safety for both you and your patients. In accordance with the EN 13060 standard, it has automatic settings for all types of Class B cycles. In addition, it has innovative Personal Functions, which can be unblocked by entering a password and used to run Light (N) cycles and Light & Stock (S) cycles. Moreover, the E9 Next guarantees optimal water and electricity consumption and the innovative, even more ergonomic basket allows you to make the most of each cycle by using up to five trays and four containers.



- 
- Focus on the topic
 - **CONDUCTIVITY SENSOR**
 - **DIRT CONTROL SYSTEM**
 - **INSTANT STEAM GENERATOR**
 - **AIR - WATER SEPARATOR**

page 16-17



Next_5 Inspectionability. For convenient and complete cleaning.

Ever since Euronda invented the first self-inspection water tank, it has continued to evolve the concept of inspectionability. E9 Next is proof of this; the system for opening and accessing the tank is extremely simple and quick. It allows for easy and frequent cleaning even by non-experts and guarantees reliable sterilisation, which remains effective even as time goes on.

 Focus on the topic
 - **INSPECTION® SYSTEM**
page 17

STERILISATION CYCLES

B 134

SOLID, POROUS AND HOLLOW, WRAPPED AND UNWRAPPED

B 121

SOLID, POROUS AND HOLLOW, WRAPPED AND UNWRAPPED. PARTICULARLY INDICATED FOR PLASTICS, TURBINES AND HANDPIECES

B 134 PRION

PRION CYCLE FOR WRAPPED AND UNWRAPPED SOLID, POROUS AND HOLLOW

B 134 ⚡

RAPID CYCLE FOR WRAPPED AND UNWRAPPED SOLID, POROUS AND HOLLOW. FOR 1 TRAY INSTRUMENTS

B 134 PRION ⚡

RAPID PRION CYCLE FOR WRAPPED AND UNWRAPPED SOLID, POROUS AND HOLLOW. FOR 1 TRAY INSTRUMENTS

	18 LITRES	24 LITRES	18 LITRES	24 LITRES	18 LITRES	24 LITRES	18 LITRES	24 LITRES	18 LITRES	24 LITRES
TEMPERATURE	135,5° C	135,5° C	122,5° C	122,5° C	135,5° C	135,5° C	135,5° C	135,5° C	135,5° C	135,5° C
PRESSURE	2,16 bar	2,16 bar	1,16 bar	1,16 bar	2,16 bar	2,16 bar	2,16 bar	2,16 bar	2,16 bar	2,16 bar
STERILIZATION TIME	4'	4'	20'	20'	18'	18'	3'5"	3'5"	18'	18'
DRYING TIME	15'	15'	15'	15'	15'	15'	4'	4'	4'	4'
TOTAL TIME WITH STANDARD LOADS	42'	44'	58'	59'	56'	58'	28'	31'	44'	46'
MAXIMUM LOAD	4,5 kg / 1,5 kg	6 kg / 2 kg	4,5 kg / 1,5 kg	6 kg / 2 kg	4,5 kg / 1,5 kg	6 kg / 2 kg	0,6 kg / 0,2 kg	0,6 kg / 0,2 kg	0,6 kg / 0,2 kg	0,6 kg / 0,2 kg

PERSONAL FUNCTIONS (activation on demand with a password)

Light & Stock cycles **

S 134

STERILIZATION OF NON-BAGGED OR BAGGED SOLID PRODUCTS

S 121

STERILIZATION OF NON-BAGGED AND PLASTIC OR BAGGED SOLID PRODUCTS

Light Cycle **

N 134

UNWRAPPED SOLID INSTRUMENTS

N 121

STERILIZATION OF NON-BAGGED AND PLASTIC SOLID PRODUCTS

E-Timer

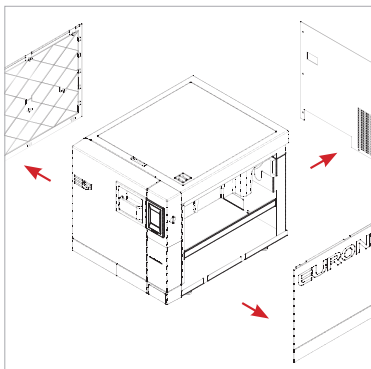
THE E-TIMER ALLOWS USERS TO SET THE AUTOCLAVE TO START AT THEIR CHOSEN TIME, IN ORDER TO OPTIMIZE THE OPERATING PERIODS. IT IS ALSO POSSIBLE TO SET IT TO RUN A VACUUM CYCLE BEFORE THE CHOSEN STERILIZATION CYCLE OR TEST.

	18 & 24 LITRI	18 & 24 LITRI	18 & 24 LITRI	18 & 24 LITRI
TEMPERATURE	135,5° C	122,5° C	135,5° C	122,5° C
PRESSURE	2,16 bar	1,16 bar	2,16 bar	1,16 bar
STERILIZATION TIME	4'	20'	4'	20'
DRYING TIME	15'	15'	4'	4'
TOTAL TIME WITH STANDARD LOADS	31'	31'	22'	36'
MAXIMUM LOAD	4,5 kg / 1,5 kg	4,5 kg / 1,5 kg	4,5 kg	4,5 kg

*Times are intended without drying. The times has a tolerance of +5%.

**All of the cycles are available unless it is not possible due to specific national legislation.

TECHNICAL INSIGHT



➤ ON BOARD TRACEABILITY

THE E9 NEXT TRACKS EVERY STERILISATION CYCLE EVEN IN THE BASIC VERSION THANKS TO THE SD CARD AND ETHERNET CONNECTION, COMPLETELY CONFORMING TO EN13060 STANDARD REQUIREMENTS. THE ARCHIVING SYSTEM ON THE SD CARD ALLOWS THE USER TO SAVE AND TRANSFER DATA FROM THE CARD TO THE COMPUTER. THE ETHERNET CONNECTION ALLOWS THE USER TO SAFELY CONNECT THE E9 TO THE PC VIA A CABLE. ALSO, THANKS TO THE E-WIFI KIT, THE AUTOCLAVE CAN BE CONNECTED WIRELESSLY TO TWO OR MORE DEVICES: PRINTERS, COMPUTERS, SMARTPHONES ETC., THEREBY SETTING UP WANS TO SHARE DATA AND RESOURCES.

➤ ON BOARD EXPANDABILITY

WITH THE E9 NEXT, THE CONCEPT OF TRACEABILITY HAS BECOME EXPANDABLE AND FLEXIBLE TO YOUR NEEDS, WHETHER WHEN BUYING IT OR AT ANOTHER TIME, WHENEVER YOU THINK IT WOULD BE USEFUL TO INTEGRATE THE AUTOCLAVE WITH ONE OF THE THREE PRINTER SETS. YOU CAN CHOOSE BETWEEN PRINT SET_1 (BUILT-IN THERMAL PAPER PRINTER), PRINT SET_2 (BUILT-IN ADHESIVE LABELS PRINTER) OR PRINT SET_3 (EXTERNAL LARGE-QUANTITY ADHESIVE LABELS PRINTER). EASY TO INSTALL, THE THREE SYSTEMS DO NOT REQUIRE THE ASSISTANCE OF A SPECIALIST.

➤ MODULAR STRUCTURE AND VALVES BLOCK

E9 NEXT HAS BEEN MADE WITH A MODULAR SYSTEM THAT ALLOWS FOR QUICK AND EASY ACCESS TO ALL INTERNAL COMPONENTS OF THE MACHINE, SINCE EVERY PART OF THE AUTOCLAVE MUST BE ACCESSIBLE, CLEANABLE AND MAINTAINABLE, IN LINE WITH THE LATEST ENGINEERING STANDARDS. THE TANKS POSITIONED HIGHER ARE EASY TO INSPECT AND THE SIDE PANELS ARE MADE OF LATEST GENERATION PLASTIC MATERIAL AND CAN BE EASY TO OPEN. ALSO, THE UNIFIED VALVE SYSTEM ALLOWS THE USER TO SAVE A LOT OF TIME AND RESOURCES, MAKING THIS AUTOCLAVE EVEN MORE ECO-FRIENDLY AND ATTENTIVE TO THE NEEDS OF ANY MEDICAL ESTABLISHMENT.

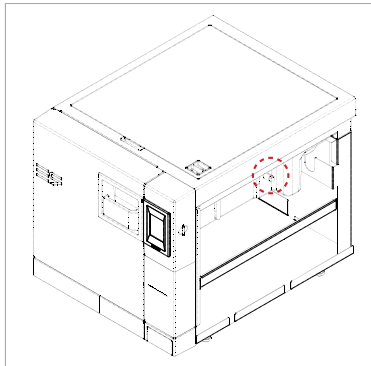
TECHNICAL INSIGHT



E-TOUCH

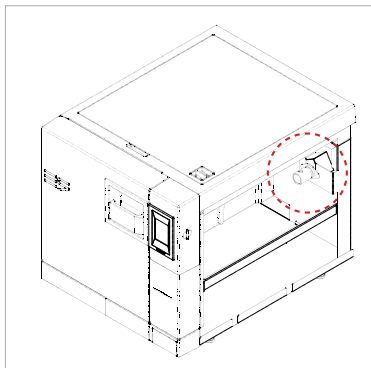
THE E9 NEXT HAS CONTINUED TO EVOLVE THE E-TOUCH CONCEPT THAT SETS EURONDA AUTOCLAVES APART. THE LATEST GENERATION TOUCHSCREEN DISPLAY IS EXTREMELY USER-FRIENDLY AND ALLOWS DIRECT AND FAST CONTROL OF THE COMMANDS, THANKS TO THE NEW, CLEAR AND SIMPLE ICONS.

THE NEW ON DISPLAY APPLICATION MENU, WHICH IS PRESENT FOR THE FIRST TIME ON AN AUTOCLAVE, GUARANTEES A NEVER BEFORE SEEN LEVEL OF CUSTOMISATION. YOU CAN INTERACT WITH THE MACHINE, CREATE YOUR OWN MENU AND DEVELOP YOUR OWN PROFESSIONAL APPROACH TO USING THE MACHINE. THIS IS WHAT MAKES THE E9 NEXT AUTOCLAVE THE BEST OF ITS KIND.



CONDUCTIVITY SENSOR

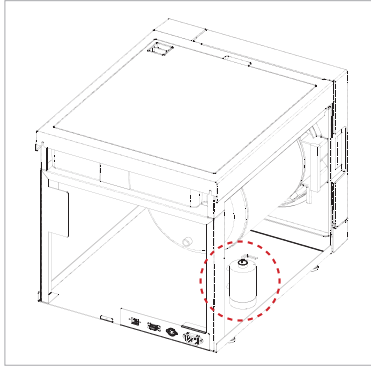
THE E9 NEXT IS EQUIPPED WITH A CONDUCTIVITY SENSOR THAT MONITORS THE QUALITY OF WATER AND CERTIFIES THE ABSENCE OF MINERALISATION, WHICH IS A GUARANTEE OF LOW LIMESCALE LEVELS AND THEREFORE OF THE AUTOCLAVE'S LONG WORKING LIFE. THANKS TO THE CONVENIENT E-TOUCH SYSTEM, IT IS POSSIBLE TO MANAGE THE WATER CONTROL FUNCTIONS AND READ THE DATA SENT BY THE CONDUCTIVITY SENSOR, WHICH IS INSTALLED IN THE CLEAN WATER TANK. THESE READINGS ARE GUARANTEED EVEN WITH VARIABLE WATER TEMPERATURES. THE USER CAN READ THE DATA THROUGH THE ACTIVE APPLICATIONS AND A SPECIAL MESSAGE WILL APPEAR WARNING OF ANY DETERIORATION OF THE LEVEL OF MINERALISATION IN THE WATER. IF THIS OCCURS, YOU SHOULD DEACTIVATE THE DEVICE AND CHECK THE RESIN ON THE FILTER OR THE DEMINERALISED/DISTILLED WATER.



DIRT CONTROL SYSTEM

THE DIRT CONTROL SYSTEM ENSURES ANY POSSIBLE RESIDUAL DIRT ON THE INSTRUMENTS IS QUICKLY DRAINED FROM THE HYDRAULIC SYSTEM AND DEPOSITED DIRECTLY INTO THE USED WATER TANK. THIS ALLOWS THE MACHINE TO FUNCTION FOR A LONGER PERIOD OF TIME EVEN WHEN DIRT IS PRESENT IN THE HYDRAULIC SYSTEM OR THE WASTE SYSTEM. THE DIRT CONTROL SYSTEM HAS BEEN CONFIRMED AS ALLOWING THE E9 NEXT TO FUNCTION EVEN WHEN OPERATING CONDITIONS ARE NOT IDEAL. OTHER NEW DEVICES SUCH AS THE FILTER CHAMBER INSIDE THE AUTOCLAVE HELP MANAGE ANY POSSIBLE DIRT IN THE HYDRAULIC SYSTEM, ENSURING THE CLEAN WATER FLOW AND THE USED WATER FLOW ARE SEPARATED AND THE DIRT IS TREATED AS A "NORMAL" COMPONENT WITHIN THE HYDRAULIC SYSTEM.

TECHNICAL INSIGHT



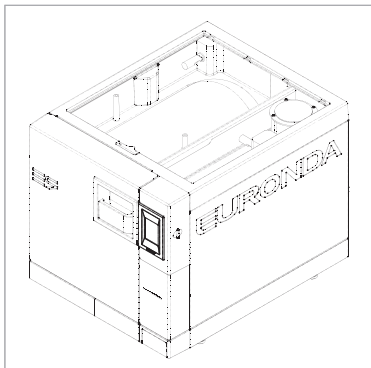
➤ INSTANT STEAM GENERATOR

E9 NEXT CONTAINS AN INDUSTRIAL STEAM GENERATOR THAT PRODUCES STEAM INSTANTLY, AS SOON AS IT IS REQUIRED BY THE STERILIZATION CYCLE. THIS ENSURES THAT SUPERIOR QUALITY STEAM IS USED IN THE STERILIZATION PROCESS. THE STEAM FOR THE STERILIZATION CHAMBER IS PRODUCED INSTANTLY, OPTIMIZING WATER CONSUMPTION IN ACCORDANCE WITH THE LOAD AND THUS REDUCING THE STERILIZATION TIMES.



➤ AIR - WATER SEPARATOR

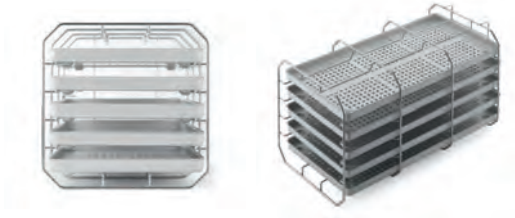
THE SEPARATOR DEVICE, DESIGNED AND BUILT INTO THE TANK UNIT, IS A REAL "LIFE SAVER" FOR THE VACUUM PUMP. THE PUMPS USED ON MACHINES OF THIS LEVEL ARE ESSENTIAL TO ACHIEVE PROPER STERILISATION, BUT ARE VERY DELICATE AS THEY ARE IN CONSTANT CONTACT WITH FLOWS CONTAINING HIGH TEMPERATURE STEAM, AIR, DIRT AND CHEMICAL WASTE FROM LUBRICATING OILS FOUND ON INSTRUMENTS BEING STERILISED (WANDS, TURBINES,..). THESE STREAMS ARE CHANNELLED INTO THE SEPARATOR DEVICE WHICH SEPARATES THE AIR FROM THE OTHER COMPONENTS BEFORE THEY ENTER THE VACUUM PUMP. THIS PHASE ALLOWS THE PUMP TO OPERATE IN IDEAL WORKING CONDITIONS, PRESERVING THE EFFICIENCY OF THIS DEVICE WHICH IS SO IMPORTANT FOR THE OVERALL OPERATION OF THE SYSTEM AND TO GUARANTEE A LONG WORKING LIFE.



➤ INSPECTION® SYSTEM

THE E9 NEXT COMES WITH AN INSPECTION® SYSTEM, TANK UNIT SLOTTED INTO THE TOP OF THE MACHINE, IN FULL COMPLIANCE WITH EN 13060 STANDARD REQUIREMENTS. THE INSPECTION® SYSTEM CONSISTS OF NEW GENERATION PLASTIC TANKS, HIGH TEMPERATURE, STEAM AND VACUUM TESTED. THE HIGH-TECH POLYMER TOP COVER IS FIXED IN PLACE BY A MAGNETIC SYSTEM WHICH MAKES IT EASY TO OPEN AND CLEAN INSIDE WITHOUT ANY NEED FOR SPECIAL ACCESS TOOLS. THE SEPARATE CLEAN WATER AND USED WATER TANKS ARE EASILY IDENTIFIED.

STARTER KIT



STANDARD TRAY HOLDER

STEEL TRAY HOLDER WITH A SQUARE PROFILE, WITH A CAPACITY OF 5 STANDARD ALUMINIUM TRAYS. LF ROTATED BY 90°, IT CAN HOLD 3 STERILIZATION CASSETTES. 5 TRAYS INCLUDED.



- DRAINAGE PIPES
- SPONGE
- TRAY REMOVAL HANDLE
- DOOR ADJUSTMENT HANDLE
- FUNNEL
- REPLACEMENT BACTERIA FILTER

TEST



STERILISATION TESTS

TO GUARANTEE THAT THE STERILISATION CYCLE HAS BEEN CORRECTLY CARRIED OUT, EURONDA RECOMMENDS YOU RUN THE CHECK TEST TO VERIFY:

- THE STEAM PENETRATION CAPACITY DURING HOLLOW LOADS (HELIX, DAILY) POROUS LOADS (BOWIE & DICK, MONTHLY) AND THE MAINTAINING OF PRESSURE VESSEL PERFORMANCE (VACUUM, DAILY)
- STEAM PENETRATION CAPACITY DURING POROUS LOADS (BOWIE & DICK, MONTHLY)
- MAINTAINING OF PRESSURE VESSEL AND HYDRAULIC CIRCUIT PRESSURE (VACUUM, DAILY).

OPTIONAL TRAY HOLDERS



TRAY HOLDER FOR STERILIZATION CASSETTES

ROUNDED STEEL TRAY HOLDER DESIGNED TO HOLD 5 STANDARD ALUMINIUM TRAYS*. LF ROTATED BY 90°, IT CAN HOLD 4 STERILIZATION CASSETTES. AVAILABLE FOR BOTH 18 LITRE VERSION (CAPACITY: TOUR 1 DIN CASSETTES) OR 24 LITRE VERSION (CAPACITY: TOUR 1 DIN CASSETTES + TOUR 1/4 DIN CASSETTES).

*TRAYS NOT INCLUDED



TRAY HOLDER FOR STERILIZATION CONTAINER

ROUNDED STEEL TRAY HOLDER DESIGNED TO HOLD 5 STANDARD ALUMINIUM TRAYS*. LF ROTATED BY 90°, IT CAN HOLD ONE OR MORE STERILIZATION CONTAINERS (MAXIMUM CAPACITY: D = 380 MM L = 190 MM H = 152 MM). ONLY AVAILABLE FOR THE 24 LITRE VERSION.

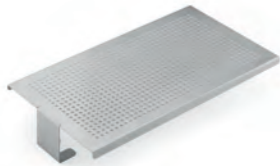
*TRAYS NOT INCLUDED



XL TRAY HOLDER KIT

XL ROUNDED STEEL TRAY HOLDER, WITH A CAPACITY OF 4 SPECIAL ALUMINIUM TRAYS*. ONLY AVAILABLE FOR THE 24 LITRE VERSION.

*TRAYS INCLUDED IN THE KIT



UNIVERSAL SUPPORT SURFACE

A STEEL SUPPORT SURFACE THAT IS SUITABLE FOR LOADS WITH GREATER DIMENSIONS. IT CAN BE INSTALLED DIRECTLY IN THE BOILER, AFTER REMOVING THE TRAY HOLDER PROVIDED. ONLY AVAILABLE FOR THE 24 LITRE VERSION.

WATER TREATMENT SYSTEMS

AQUAOSMO

AQUAOSMO IS A SYSTEM THAT USES REVERSE OSMOSIS TO PRODUCE DEIONIZED WATER. A COMPLEX FILTERING SYSTEM CONTAINING NO FEWER THAN 4 FILTERS AND 1 MEMBRANE PRODUCES LARGE AMOUNTS OF WATER THAT ARE SUITABLE FOR SUPPLYING AUTOCLAVES AND ALL OF THE EQUIPMENT IN DENTAL PRACTICES, IN ACCORDANCE WITH THE EN 13060 STANDARD (<15 MS/CM). IT COMES WITH A GUN FOR SPRAYING WATER MANUALLY. AQUAOSMO IS DESIGNED TO BE INSTALLED TOGETHER WITH AN AQUABOX AND CONNECTED DIRECTLY TO AN AUTOCLAVE. IT CAN SUPPLY BETWEEN 2 AND 4 AUTOCLAVES AT THE SAME TIME IF IT IS FITTED WITH THE SPECIAL EXTERNAL ACCUMULATION TANK KIT, WHICH HAS A CAPACITY OF 12 LITRES. AQUAOSMO DOES NOT NEED TO BE CONNECTED TO AN ELECTRICAL POWER SUPPLY AND IT CAN BE INSTALLED DIRECTLY ON A WORK SURFACE OR INSIDE A UNIT.

WATER PRODUCTION: 1 LITRE OF WATER EVERY 20 MINUTES
MIN./MAX. SUPPLY PRESSURE: 2 / 3 BARS CONDUCTIVITY OF
INCOMING WATER: MAX. 650 MS DIMENSIONS: 360 MM X 280 MM X 180 MM
WEIGHT (WHEN EMPTY): 3



AQUABOX

AQUABOX IS A DEVICE THAT ALLOWS EURONDA AUTOCLAVES TO BE CONNECTED TO AN EXTERNAL SUPPLY OF WATER THAT HAS ALREADY BEEN TREATED. IT IS IDEAL FOR CLINICS THAT ALREADY HAVE WATER TREATMENT SYSTEMS BASED ON OSMOSIS OR OTHER METHODS. IT CAN BE INSTALLED EASILY ON ALL EURONDA CLASS B AUTOCLAVE MODELS. QUALITY CONTROLS ON INCOMING WATER ARE GUARANTEED FOR DEVICES WITH CONDUCTIVITY METERS.



AQUADIST

WATER DISTILLER THAT BOILS WATER AND CONDENSES THE STEAM TO OBTAIN DISTILLED WATER. IT DISTILLS 0.7 LITRES OF WATER PER HOUR. 4 LITRES CAPACITY. IT PASSES ALL SAFETY TESTS, COMPLYING WITH ALL ELECTROMAGNETIC COMPATIBILITY STANDARD (2004/108/CE) AND LOW VOLTAGE STANDARD (2006/95/CE) REQUIREMENTS.



AQUAFILTER

DEVICE THAT PRODUCES DEIONISED WATER FOR THE AUTOCLAVE AND OTHER PIECES OF EQUIPMENT IN A DENTAL SURGERY IN COMPLIANCE WITH THE EN13060 STANDARD (<15 µS/CM). EVEN MORE PRACTICAL AQUAFILTER CAN REST ON THE WORKTOP OR INSIDE A CABINET, OR IT CAN BE WALL-MOUNTED OR INSTALLED ON THE AUTOCLAVE. AN INDICATOR LIGHT SHOWS THE WATER CONDUCTIVITY LEVEL ALLOWING YOU TO SEE WHEN IT'S TIME TO REPLACE THE RESINS AT A GLANCE. THE CONTROL ON THE FRONT ALLOWS YOU TO SUPPLY WATER MANUALLY. AQUAFILTER DEIONISES AN AVERAGE OF 1 LITRE OF WATER PER MINUTE. IT CAN BE EQUIPPED WITH AN AUTOMATIC SHUTOFF DEVICE.

- OVERALL DIMENSIONS: 390X455X145 MM (LXHXD)
- WEIGHT: 8,8 KG (WITH FULL VESSELS)



AQUAFILTER 1 TO 1

DEVICE THAT PRODUCES DEIONISED WATER FOR THE AUTOCLAVE, IN COMPLIANCE WITH THE EN13060 STANDARD (<15 MS/CM). IT CAN BE CONNECTED TO ONE AUTOCLAVE. AQUAFILTER DEIONISES AN AVERAGE OF 1 LITRE OF WATER PER MINUTE. AN INDICATOR LIGHT SHOWS THE WATER CONDUCTIVITY LEVEL, ALLOWING YOU TO SEE AT A GLANCE WHEN IT'S TIME TO REPLACE THE RESINS. IT CAN BE EQUIPPED WITH AN AUTOMATIC SHUT-OFF DEVICE. IT CAN BE POSITIONED ON THE WORKTOP, INSIDE A CABINET OR IT CAN BE WALLMOUNTED. THE PACK CONTAINS: TWO ION-EXCHANGE RESIN CARTRIDGES, A RESIN FIXING TOOL, A WATER MAINS CONNECTION PIPE, AND A PIPE AND CABLE FOR CONNECTION TO AN AUTOCLAVE.

- OVERALL DIMENSIONS (WXHXD): 390X455X145 MM
- WEIGHT: 8.5 KG (WITH FULL VESSELS)



TRACEABILITY



PRINT SET_1

OPTIONAL BUILT-IN THERMAL PAPER PRINTER KIT FOR THOSE OF YOU WHO WISH TO PRINT A PAPER COPY OF INFORMATION FROM THE STERILISATION CYCLE TO STORE THE RESULTS. THE PRINTER IS INSTALLED ON-BOARD IN A FEW SIMPLE STEPS IN THE FRONT SECTION OF THE MACHINE.



PRINT SET_2

BUILT-IN E-BOARD ADHESIVE LABELS PRINTER KIT SAFELY LABEL THE LOAD. INSTALL THIS SIMPLE PRINTER DEVICE ON BOARD IN A FEW SIMPLE STEPS. SAVE SPACE AND CONVENIENTLY PRINT YOUR LABELS.



PRINT SET_3

EXTERNAL LARGE-QUANTITY LABELS PRINTER KIT FOR CONTINUOUS PRODUCTION SAFELY LABEL THE LOAD BY CONNECTING THE PRINTING DEVICE IN A FEW SIMPLE STEPS.

CONNECTIVITY

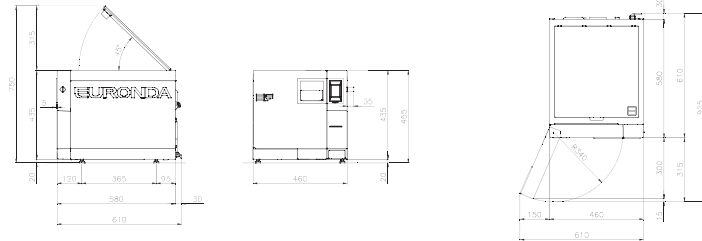


E-WIFI

KIT PROVIDING WIRELESS CONNECTION BETWEEN AN E9 NEXT AUTOCLAVE AND A PC, TABLET OR SMARTPHONE (BOTH iOS AND ANDROID). THE E-WIFI SYSTEM PROVIDES WIRELESS CONNECTION OF UP TO 5 E9 NEXT AUTOCLAVES TO A PC FOR INSTANT SHARING OF DATA AND RESOURCES. E-WIFI IS USED TO MANAGE UP TO 5 AUTOCLAVES USING E-MEMORY AND E9LINK SOFTWARE. THE E-WIFI SYSTEM CONSISTS OF THE FOLLOWING COMPONENTS: E-WIFI SD CARD, E9LINK PC DRIVER.

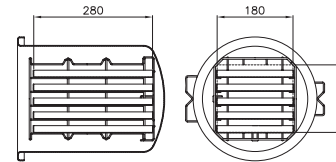
TECHNICAL SPECIFICATIONS

OVERALL REQUIRED SPACE

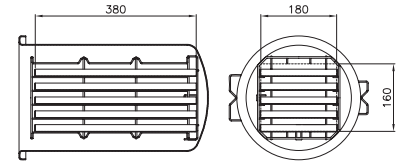


USEFUL SPACE

18 LITRES



24 LITRES



TECHNICAL DATA

	E9 NEXT - 18 L	E9 NEXT - 24 L
OVERALL DIMENSIONS	460 x 455 x 610 mm (L x H x D)	
WEIGHT (machine empty with basket and trays)	45,5 kg	48 kg
POWER SUPPLY	230 V 50/60 Hz	
ABSORBED CURRENT (output)	2350 W 10.2 A	2450 W 10.7 A
OPERATING TEMPERATURE	+5 - +40°C	
OPERATING ALTITUDE (leaving the loading cap free)	≤ 2000 m a.m.s.l *	
MINIMUM DEPTH OF THE SUPPORT SURFACE	500 mm	
MINIMUM WIDTH OF THE SUPPORT SURFACE	460 mm	
MINIMUM SPACE ABOVE THE TANK	0 mm leaving the loading cap free	
NOISE LEVEL	50 dB	
WEIGHT PER SUPPORT AREA (tank full and chamber with maximum load)	45,5 kg +7,5 kg = 53 kg Load on each foot : 13,3 kg	48 kg +9 kg = 57 kg Load on each foot : 14,3 kg
OPERATING RANGE	Indoor use Relative humidity 85% Maximum line-voltage deviation ±10% Installation category II Pollution level 2	
CHAMBER MEASUREMENTS AND VOLUME	250x340 mm ØxD	250x440 mm ØxD
DIMENSION AND VOLUME	180x280x160 mm LxDxH	180x380x160 mm LxDxH
WATER CONSUMPTION VOLUME	300 ml	
TANK CAPACITY (clean water / used water)	5 litres / 3,3 litres	

SAFETY DEVICES

- Short-circuit protections
- Overheating protections
- Overpressure protection
- Accidental door opening protections
- Process appraisal system
- Real-time self-diagnostic system

COMPLIANCE WITH HARMONISED STANDARDS

- EN 13060
- EN ISO 14971
- EN 61010-1
- EN 61010-2-040
- EN 61326
- EN 13445

DOCUMENTATION

- User Manual
- Declaration of conformity Chamber
- Declaration of conformity autoclave
- Warranty Certificate
- Installation chart
- Servicing handbook

CERTIFICATION INFORMATION

- E9 Next Autoclave compliant with Directive 93/42/EC and addenda.
- Class IIb device
- Chamber compliant with PED Directive 97/23/EC
- Company certification: ISO 9001 ISO 13485

* For altitudes higher than 2000m, please contact Euronda SPA

Euronda[®]

EURONDA SPA

Via dell'Artigianato, 7

36030 Montecchio Precalcino (Vicenza) - Italy

tel. +39 0445 329811 - fax +39 0445 865246

info@euronda.com - www.euronda.com

Deutschland

EURONDA DEUTSCHLAND GMBH

Am Landwehrbach 5

48341 Altenberge - Deutschland

tel. +49 2505 9389 0 - fax +49 2505 9389 29

info@euronda.de - www.euronda.de

España

EURONDA SPA

IDENTYD - Av. Cabezo de Torres, 4, local

30007 Murcia - España

Atención al cliente: 900102034

info@euronda.es - www.euronda.es

France

EURONDA FRANCE

ZAC Les Vallées - Avenue de Bruxelles

60110 Amblainville - France

tél. +33 (0)3.44.06.69.70 - fax +33 (0)3.44.02.03.89

info@euronda.fr - www.euronda.fr

Russia

OOO FINSTAR

5/2a Varshavskaya str.

196128, St. Petersburg - Russia

info@finstartech.ru